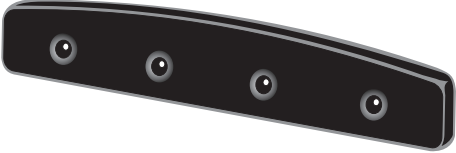
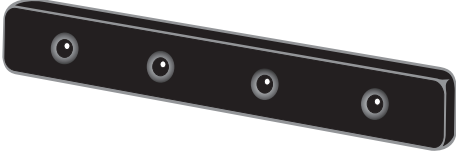
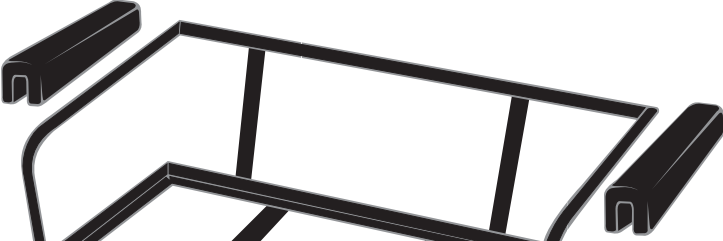
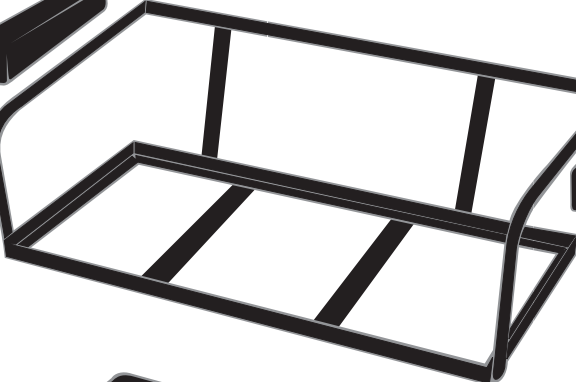

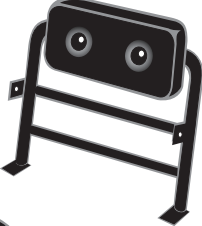
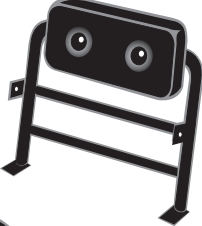
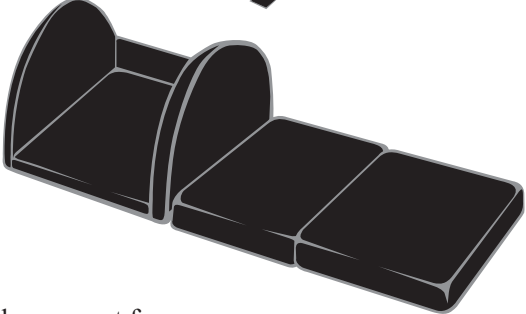
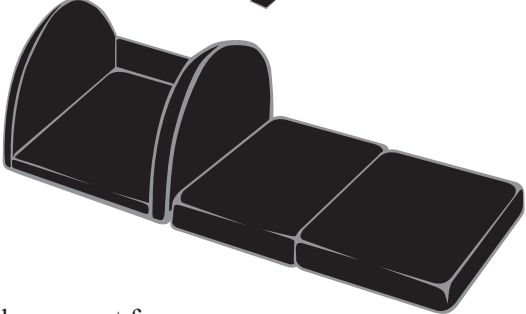


SEAT COMPOSITION

<u>ITEM</u>	<u>DESCRIPTION</u>	
1.	Curved Backrest	
2.	Straight Backrest	
3.	Arm Rest*	
4.	Seat Frame	
5.	Bench Seat	
6.	For Single Wedge Seat Backrest Cushion	
7.	Metal Frame	
8.	Wedge	
9.	Side Cushion	

* Requires welded flatbar on seat frame

SEAT COMPOSITION

ITEM	DESCRIPTION	VALUE	SELECT
1.	Curved Backrest	\$120.00	
2.	Straight Backrest	\$95.00	
3.	Arm Rest	\$95.00	
4.	Seat Frame	\$300.00	
5.	Bench Seat	\$140.00	
6.	Backrest Cushion	\$70.00	
7.	Metal Frame	\$65.00	
8.	Wedge 16 ½” or 18”	\$400.00	
9.	Side Cushion (two required)	\$70.00	
		TOTAL:	

See the list below for each vehicle’s standard seat parts.

Cart includes numbers 2, 4, 5 on list above as standard parts.

Gig includes 1, 3, 4, 5

Dartmoor includes 6, 7, 8

Omega includes 2, 4, 5

We give you the opportunity to select the parts of your choice.